



**National  
Semiconductor  
Corporation**

# LM741/LM741A/LM741C/LM741E Operational Amplifier

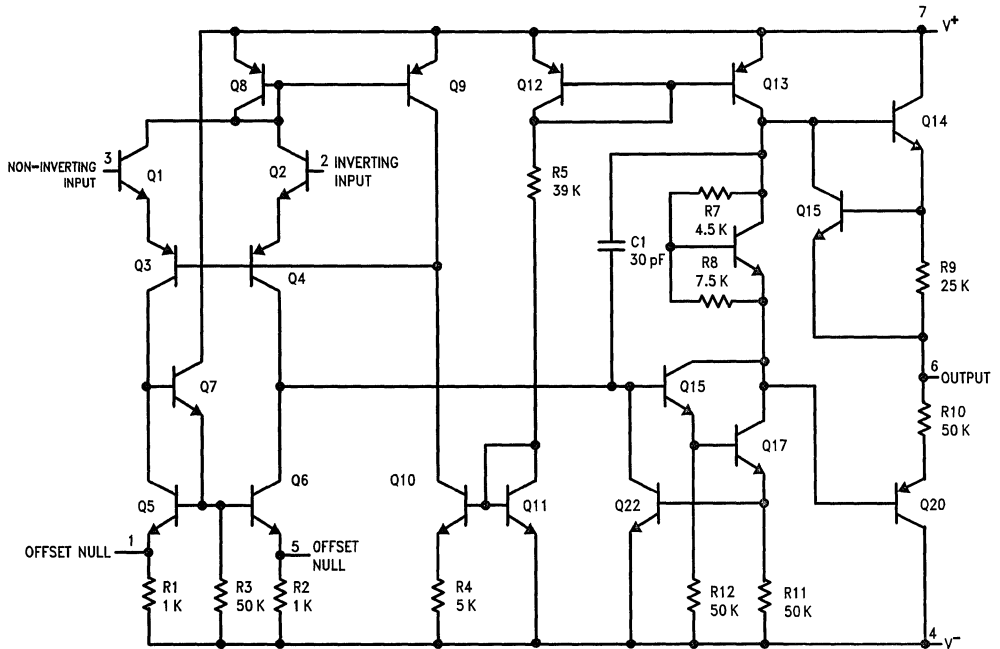
## General Description

The LM741 series are general purpose operational amplifiers which feature improved performance over industry standards like the LM709. They are direct, plug-in replacements for the 709C, LM201, MC1439 and 748 in most applications. The amplifiers offer many features which make their application nearly foolproof: overload protection on the input and

output, no latch-up when the common mode range is exceeded, as well as freedom from oscillations.

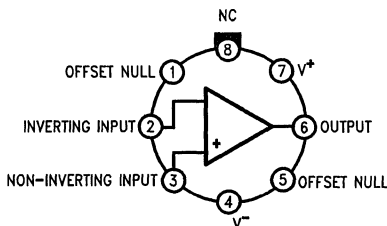
The LM741C/LM741E are identical to the LM741/LM741A except that the LM741C/LM741E have their performance guaranteed over a 0°C to +70°C temperature range, instead of -55°C to +125°C.

## Schematic and Connection Diagrams (Top Views)



TL/H/9341-1

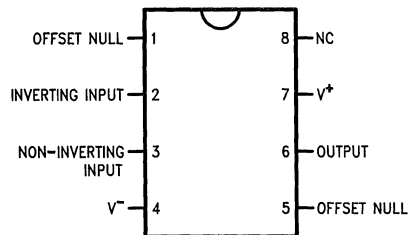
**Metal Can Package**



TL/H/9341-2

**Order Number LM741H, LM741AH,  
LM741CH or LM741EH  
See NS Package Number H08C**

**Dual-In-Line or S.O. Package**



TL/H/9341-3

**Order Number LM741CJ, LM741CM,  
LM741CN or LM741EN  
See NS Package Number J08A, M08A or N08E**

LM741/LM741A/LM741C/LM741E

2